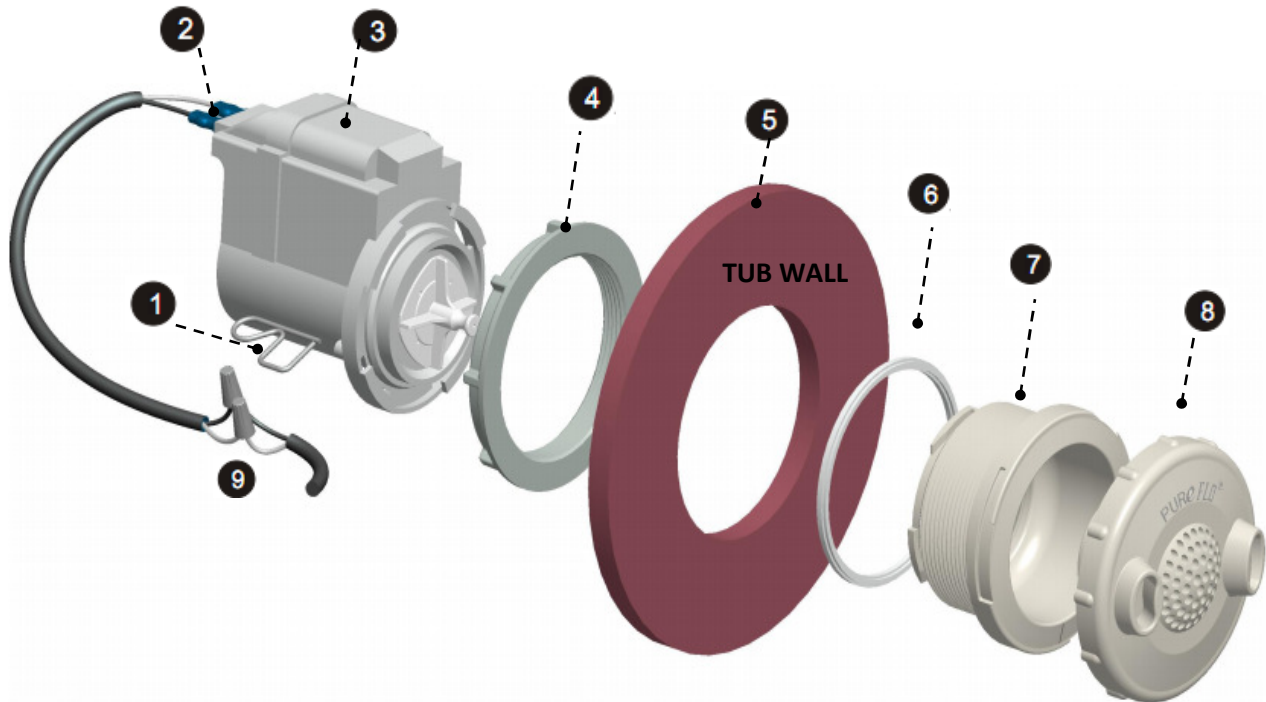


HOW TO REPLACE PURE-FLO JET & HOUSING



A. REMOVE / REPLACE MOTOR ONLY:

1. Disconnect AC power to Spa
2. Loosen the plumbing as needed and lift the front Spa off the floor by 1' >>> Safety precaution needed
3. Pull out Lock pin (#1)
4. Press in and turn Motor (#3) Clock-wise to remove
5. Remove Power Connections at (#2)

To install Pure-Flo Jet, reverse the above steps

B. REMOVE / REPLACE MOTOR & HOUSING:

1. Repeat the A steps above
2. Unscrew nut (#3)
3. Use Pliers to loose & push in Housing (#6)
4. Pull out Housing from inside Tub. If Rubber seal (#5) sticks on Tub wall, remove it and clean tub wall.

To install Pure-Flo Jet, reverse the above steps