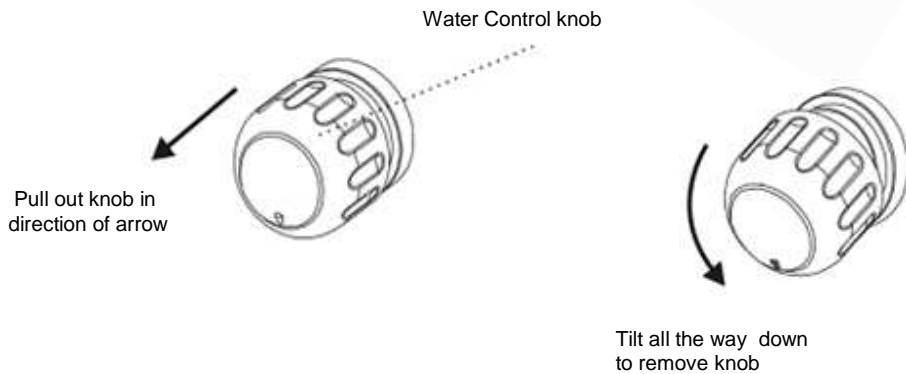
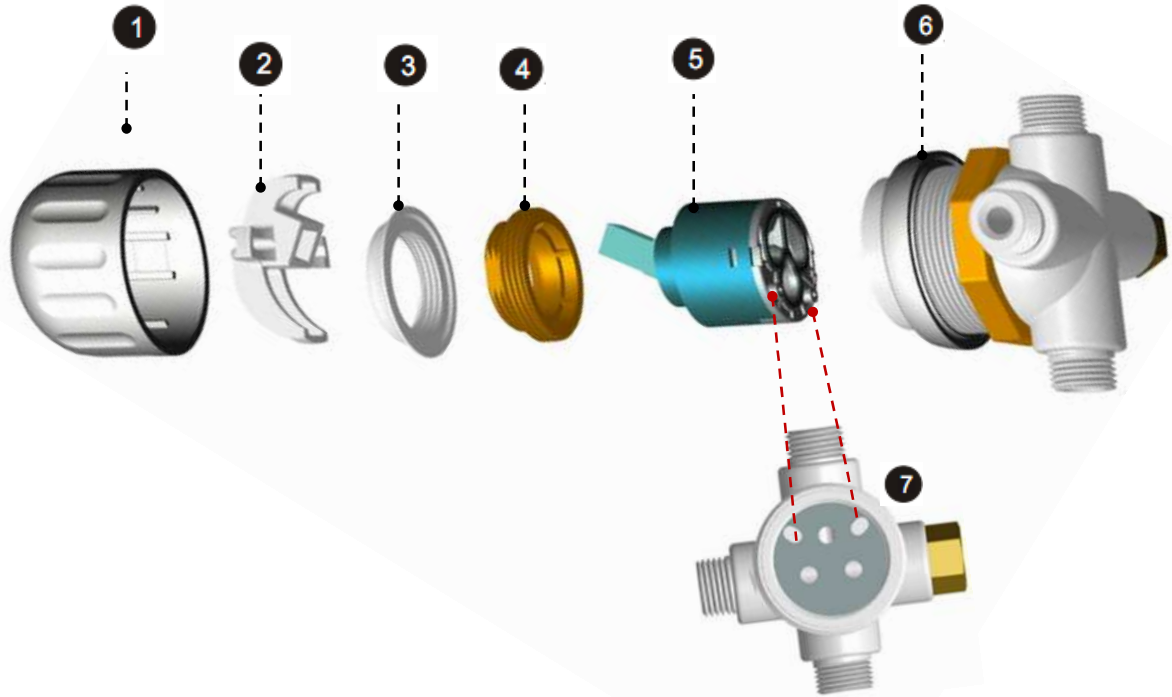


HOW TO OPEN HOT/COLD MIXER VALVE AUTO FILL



Auto-fill Version:

Replacing Cartridge: Tool needed: Phillip screw driver & Adjustable wrench. Pull out the (1) Mixer knob ½" & tilt it all the way down as shown on the figures above to remove this knob – Unscrew and remove the Cross Lever (2) - Remove Chrome ring (3) & Brass nut (4) – Remove the Cartridge (5).

To install the Cartridge: Find the 2 position holes (7) and match up these positions between Cartridge and Mixer housing prior reinstall the Mixer valve